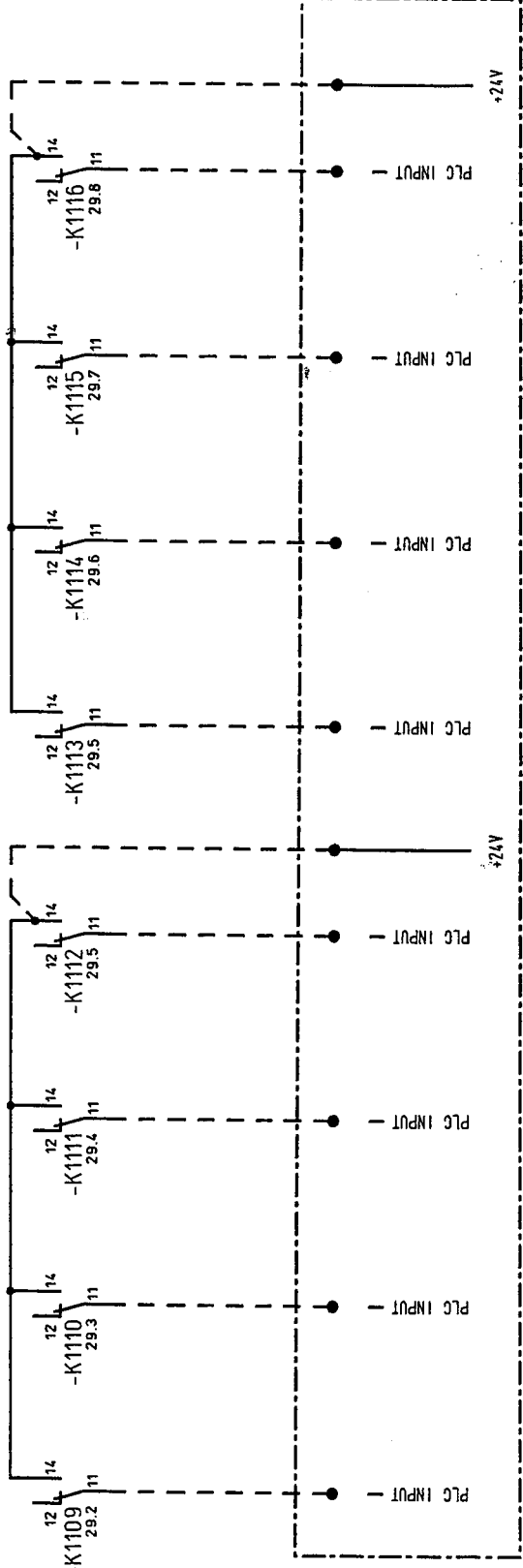
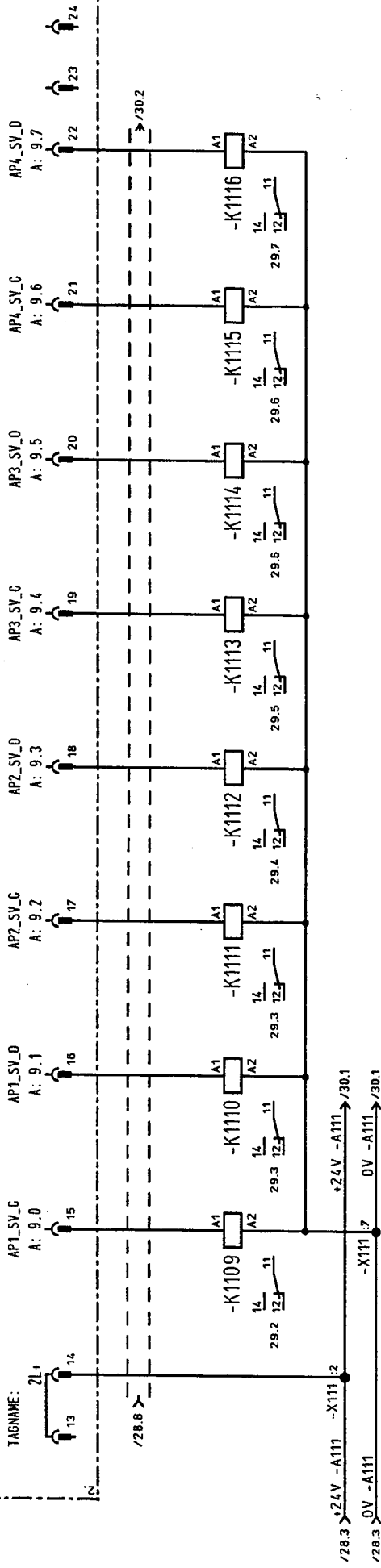


SM 422, DO 32 x DC 24V/0,5A
DIGITAL OUTPUT



PRESENT PLC / DIGITAL INPUTS

JET VALVES AP1 CLOSING JET VALVES AP1 OPENING JET VALVES AP2 CLOSING JET VALVES AP2 OPENING JET VALVES AP3 CLOSING JET VALVES AP3 OPENING JET VALVES AP4 CLOSING JET VALVES AP4 OPENING

rev.	revision	date	norm	res. from	subst. for	repl. by	Baggerautomatik DREDGER AUTOMATIC CIRCUIT DIAGRAM		271.195 627 STR	sheet 29	total
A		16.02.2005		Josef Möbius			SAM Electronics		+E1		